



Stainless

Black

## ADA24R

### ADA SERIES

#### FEATURES

##### PERFORMANCE

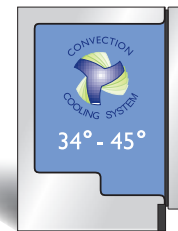
- 5.3 cubic feet overall capacity allows for storage of more than 7-1/2 cases of 12 oz beverages
- Touch pad digital control featuring easy view command center manages key functions and provides user alerts such as a door open alert
- Digital controlled single-zone convection cooling system provides a stable and consistent environment for optimum food and beverage storage
- Temperature setting from 34 to 45° F
- Sabbath / Blackout mode turns off all lighting, controls display and automatically resets after 36 hours
- Automatic defrost
- ENERGY STAR® / CEE Tier 3 rated
- UL residential and commercial listings

##### INTERIOR / EXTERIOR

- 32" height meets ADA height requirement yet maximizes allowable space
- Four heavy duty chrome wire shelves
- Standard commercial stainless steel handle is interchangeable with professional handle option for stainless steel model
- Stainless steel wrap door with black end caps on stainless model must be ordered left or right hand hinged
- Solid black door is field reversible
- Black vinyl clad textured cabinet is more resistant to scratching, peeling and flaking
- Door lock standard on all models

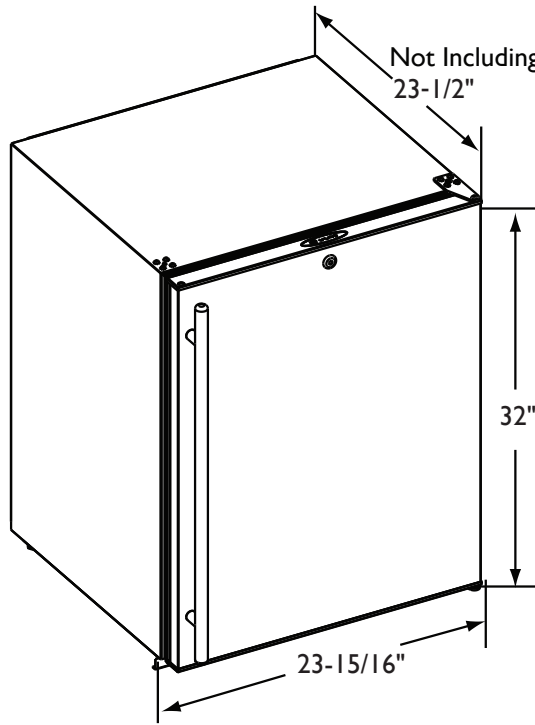
##### INTEGRATION

- Unit can be built-in or freestanding providing a custom aesthetic
- Allow a 2-1/2" clearance on hinged side for 90° door opening when installed adjacent to a wall (for stainless steel model)
- Black model will accept a 1/4" insert panel to match with surrounding decor
- Allow 1/4" width overall for proper installation (see backside for details)
- No additional clearance around sides, top or rear of unit is needed for ventilation
- Durable, factory installed level legs provide a more precise undercounter fit
- Do not obstruct front grille air flow

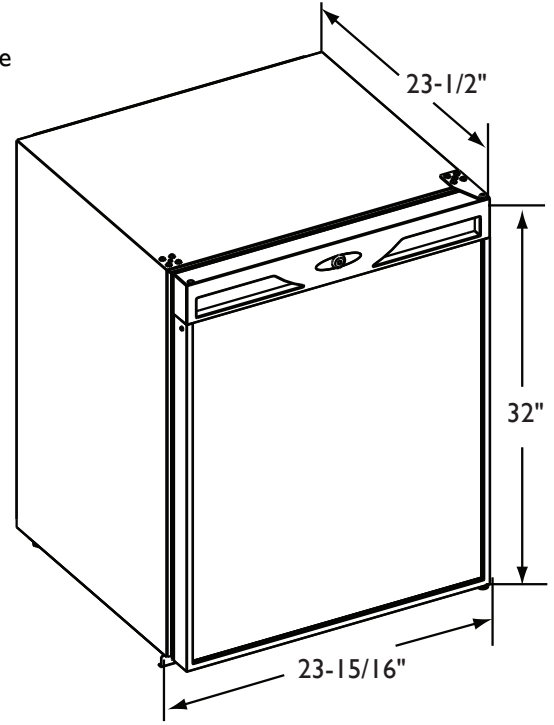


Single Zone  
Convection Cooling  
System featured in  
ADA24R.





ADA24RS Stainless Model



ADA24RB Black Model

**DIMENSIONS AND SPECIFICATIONS**

**OVERALL DIMENSIONS**

Height	32" (81.3)
Width	23-15/16" (60.9)
Depth	23-1/2" (59.7)
With stainless steel handle	24-15/16" (63.3)

**Shipping weight:**

Solid Door Model 114 lbs (52 kg)

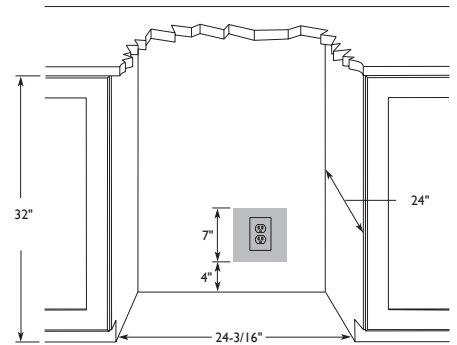
Running amps	2.4
Maximum start-up amps	9.8
Amps pertain to voltage rating	110/115 volt, 60 Hz
<b>ENERGY STAR® and CEE Tier 3 Rated</b>	

**Capacities:**

Defrost technology	Automatic
Refrigerator volume	5.3 Cu. Ft
Holds more than 7-1/2 cases of 12 oz canned beverages	

**ADA24R**

Stainless Right-hand	U-ADA24RS-I3
Stainless Left-hand	U-ADA24RS-I5
Black	U-ADA24RB-I3



Please visit [www.u-line.com](http://www.u-line.com) for installation guide.

All specifications are subject to change without notice.

